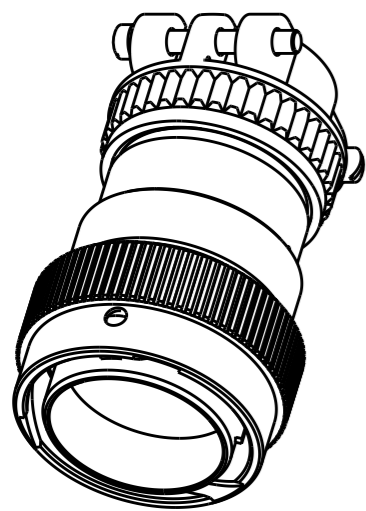
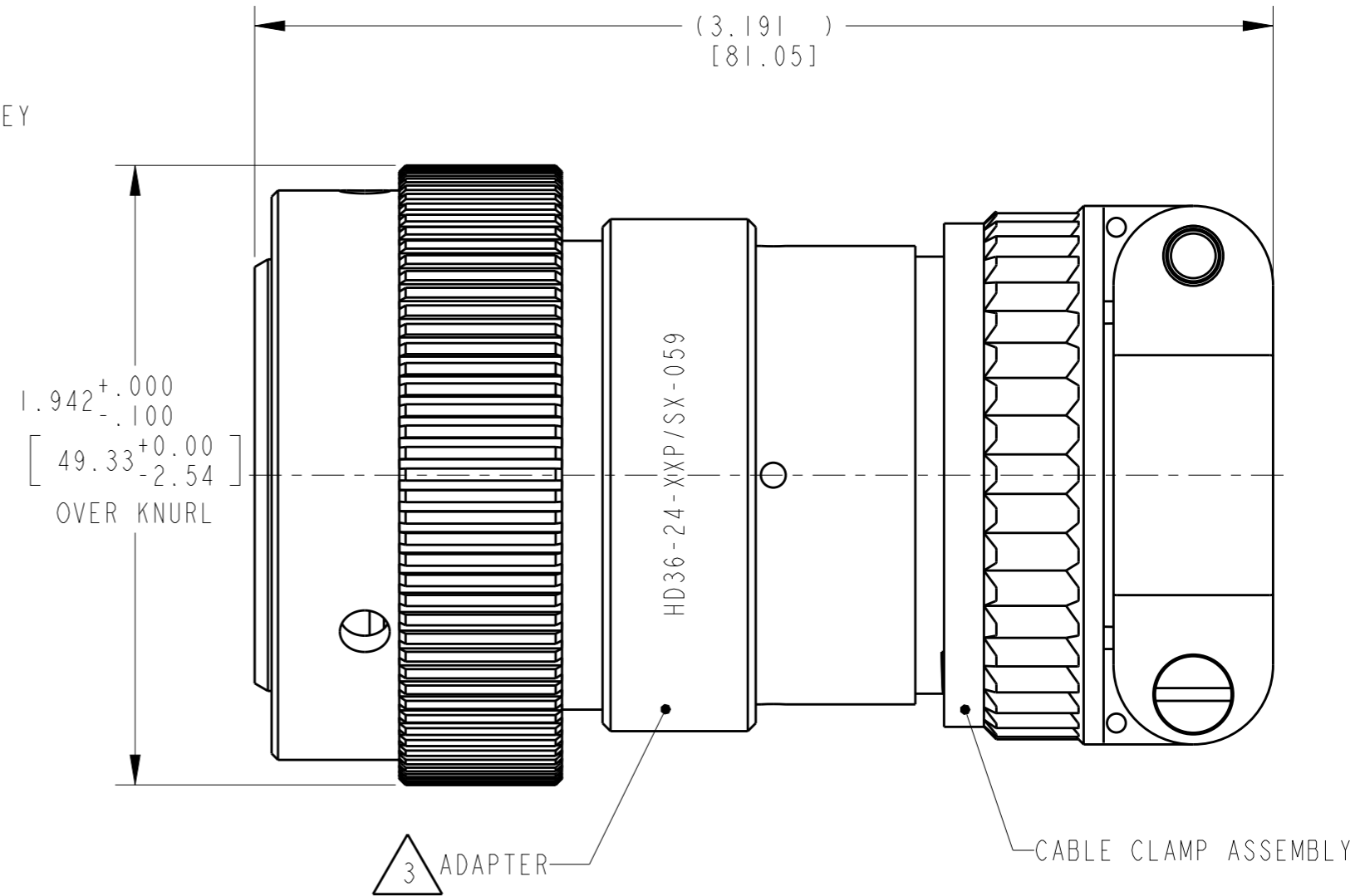
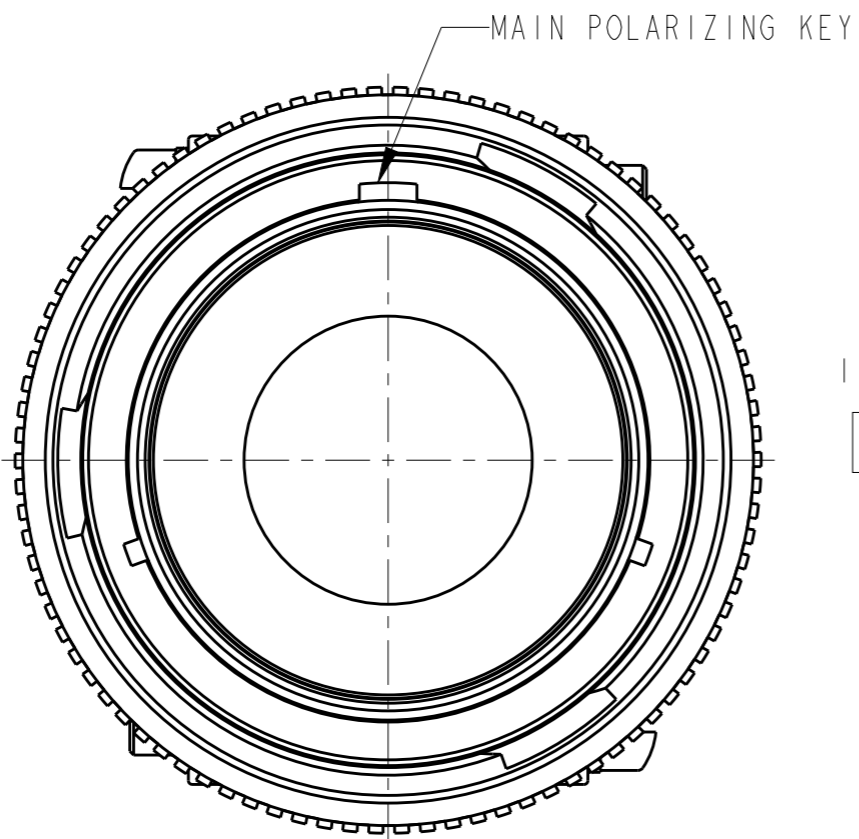


THIS DRAWING IS UNPUBLISHED  
 RELEASED FOR PUBLICATION 2015  
 ALL RIGHTS RESERVED.  
 © COPYRIGHT 2015 BY TE CONNECTIVITY

LOC	DIST	REVISIONS			
P	LTR	DESCRIPTION	DATE	DWN	APVD
-	-	A	REVISED PER E.O. P18556	03MAY2004	- RDR
		B	REVISED PER E.O. P19124	28DEC2005	- RDR
		C	REVISED PER E.O. P21009	19JUL2011	- RDR
		CI	REVISED PER ECO-15-001798	19MAR2015	PV RDR



3D VIEW



3. MATERIAL:  
 ADAPTER: AL 6000 SERIES

2. THE CONNECTOR MATES WITH HD34-24-XXS/PX-XXXX  
 X = SEAL DESIGNATION, XX = NUMBER OF CAVITIES,  
 XXXX = MODIFICATION DESIGNATION.

1. SEE DRAWING 0425-014-2400 FOR ARRANGEMENT OF CONTACT LOCATION

NOTES:

THIS DRAWING IS A CONTROLLED DOCUMENT.		DWN X. SANCHEZ 17APR2003		
DIMENSIONS: INCHES [mm]		CHK J. APOSTOL 13MAY2003		
TOLERANCES UNLESS OTHERWISE SPECIFIED:		APVD R. REED 16MAY2003	NAME	
0 PLC ±- 1 PLC ±- 2 PLC ±- 3 PLC ±.01 [±0.254] 4 PLC ±- ANGLES ±0° 30' 0"		PRODUCT SPEC 0425-016-0000	PLUG CONNECTOR, SHELL SIZE 24 BAYONET COUPLING, MOD -059 HD30 SERIES	
MATERIAL SEE NOTE		FINISH -	APPLICATION SPEC 0425-015-0000	RESTRICTED TO
		WEIGHT -	SIZE A3	CAGE CODE -
		Customer Drawing	DRAWING NO. HD36-24-XXP/SX-059	SCALE 2:1
			SHEET 1 OF 1	REV CI